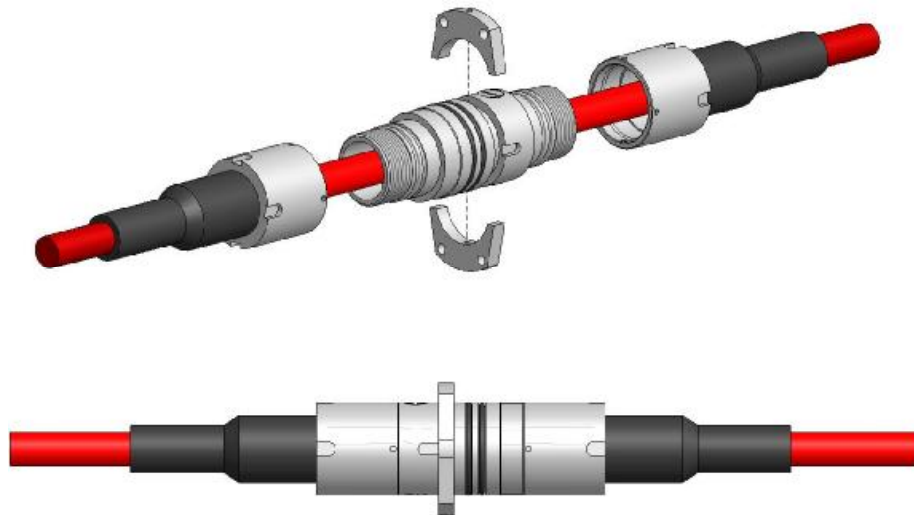


Cable Hang-off



DESCRIPTION

The cable hang-offs purpose is to relief the forces generated by the cable. The forces vary according to the cable length (sea depth) and the friction generated by the filler elements.

The cable hang-off is to be mounted on the bulk head plate in the pull-in head.

Overall dimensions: Ø50x400mm.

FEATURES

- Pressure tested to 350bar
- Cable diameter range: 12-25mm (other sizes available on request)
- Exposed materials: Stainless steel and natural rubber

Delivery includes:

- G.A. drawing with part list
- Certificate of Conformance
- Qualification testing against client specified cable upon request

Related equipment:

- Cable end seal